

# A DWT-SVD BASED PERCEPTUAL IMAGE FIDELITY METRIC FOR WATERMARKING SCHEMES

Franco Del Colle and Juan Carlos Gómez  
Laboratory for System Dynamics and Signal Processing  
FCEIA, Universidad Nacional de Rosario, Rosario, Argentina  
CIFASIS, CONICET, Rosario, Argentina

**Keywords:** Perceptual distortion metrics, Discrete wavelet transform, Singular value decomposition, Image watermarking.

**Abstract:** In this paper, a novel DWT-SVD perceptual fidelity metric for the evaluation of watermarking schemes is introduced. The proposed metric is based on a widely used Human Visual Model in the Discrete Wavelet Transform domain accounting for the frequency sensitivity, and the local luminance and contrast masking effects of the human eye. A relationship between the visual model in the DWT domain and the modification of the wavelet coefficients's singular values is derived. The proposed metric is validated through subjective assessment and its performance is compared to several state-of-the-art perceptual image distortion metrics. The paper focus on Image Adaptive Watermarking methods in the Discrete Wavelet Transform Domain since they yield better results regarding robustness and transparency than other watermarking schemes.

## 1 INTRODUCTION

Digital Watermarking refers to techniques that imperceptibly embed information (the watermark) into the original data in such a way that always remains present and detectable. One of the main requirements that should be met by any watermarking technique is the *perceptual transparency* that refers to the property of the watermark of being imperceptible in the sense that humans can not distinguish the watermarked images from the original ones by simple inspection (Barni and Bartolini, 2004), (Cox et al., 2002).

The assessment of watermarked image fidelity is one of the key aspects in the evaluation of image watermarking insertion methods. Basically, the fidelity is a measure of the similarity between the images before and after the watermark insertion. Many works exist in the literature dealing with quality assessment mainly focused on compression applications. Nevertheless, visual quality assessment should include special requirements that depend on the application context. An extended review of image quality assessment techniques in watermarking and data hiding applications can be found in (Le Callet et al., 2008).

Generally speaking, image fidelity assessment can be performed by following two different approaches: subjective evaluation and objective evaluation. In

the subjective assessment a number of observers are asked to rank the distortion of the images in a given scale and a Mean Opinion Score (MOS) is obtained. This type of evaluation is time consuming and it can be influenced by experimental conditions (such as lighting, monitor characteristics, etc.), and lack of motivation and mood of the participants. On the other hand, in the objective assessment approach, a distortion metric is mathematically defined and computed from the original and watermarked images, and is then used to quantify the watermarked image fidelity in an automatic way, without the involvement of human beings. This classification of the different approaches for image fidelity assessment is considered within the framework of the so-called *full reference image quality evaluation* techniques, where both the original and the distorted images are assumed to be available for the computation.

Among the objective image quality metrics, two different classes can be distinguished: metrics based only on the characteristics of the image, usually called *pixel-based metrics*, and metrics that take also into account perceptual characteristics of the Human Visual System (HVS), which for this reason are called *perceptual quality metrics*. Within the first class the widely used mean squared error (MSE), the peak signal to noise ratio (PSNR), the root mean squared error (RMSE), the mean absolute error (MAE), the signal-

to-noise ratio (SNR), the Universal Image Quality Index (UQI) proposed in (Wang and Bovik, 2002), and the metric based on Singular Value Decomposition (SVD) introduced in (Shnayderman et al., 2006), can be mentioned. Within the second class, the structural similarity metric (SSIM) introduced in (Wang and Lin, 2004), and the Komparator metric proposed in (Le Callet and Barba, 2003), can be mentioned. As pointed out in (Eskicioglu, 2000) and (Winkler, 1998), pixel-based metrics do not correlate well with human visual distortion perception. The same conclusion is drawn in (Marini et al., 2007), where a comparison of several perceptual and non perceptual metrics in the framework of image watermarking is carried out.

In this paper, a new perceptual metric for fidelity evaluation of watermarked images is presented and validated through subjective tests. The metric resorts to a widely used perceptual model of the HVS introduced in (Watson et al., 1997), which takes into account frequency sensitivity, local luminance and contrast masking effects to determine an image-dependent quantization matrix. This model provides the maximum possible quantization error in the DWT coefficients which is not perceptible by the HVS. A relationship between these maximum quantization errors in the DWT domain and the maximum variation of the wavelet coefficients's singular values is derived. The performance of the proposed metric is compared with two state-of-the-art perceptual fidelity metrics, namely, the Komparator metric introduced in (Le Callet and Barba, 2003), and the SSIM metric introduced in (Wang et al., 2004). No non perceptual quality metrics are considered in this paper, since they have shown to have poor correlation with the results of subjective assessment.

A wide variety of watermarking schemes have been proposed in the literature. Among the different approaches, the ones in the Discrete Wavelet Transform domain where the watermark strength is adapted locally to the particular image, called hereafter Image Adaptive Discrete Wavelet Transform (IADWT) watermarking schemes, have proved to have better performance regarding robustness against attacks and fidelity. For this reason, IADWT watermarking schemes will be considered in this paper. In particular, the IADWT schemes introduced in (Podilchuk and Zeng, 1998) and in (Del Colle and Gómez, 2007) will be employed for the evaluation of the proposed fidelity metric.

The rest of the paper is organized as follows. In section 2, a brief review of the Singular Value Decomposition and its application in image processing is presented. In section 3, the new perceptual fidelity

metric based on DWT and SV decompositions is introduced. The general conditions for the subjective tests used to validate the different fidelity metrics are described in section 4. The results of the subjective evaluation applied on two IADWT watermarking schemes, together with the results of the proposed objective metric are presented in section 5. Finally, some concluding remarks are given in section 6.

## 2 SINGULAR VALUE DECOMPOSITION

Any real matrix  $A$  can be decomposed into a product of three matrices as  $A = U\Sigma V^T$ , where  $U$  and  $V$  are orthogonal matrices ( $U^T U = I, V^T V = I$ ), and  $\Sigma = \text{diag}(\sigma_1, \sigma_2, \dots, \sigma_N)$ . The diagonal entries  $\sigma_i$  of  $\Sigma$  are called the singular values of  $A$ , while the columns of  $U$  and the columns of  $V$  are called the left and right singular vector of  $A$ , respectively (Golub and Van Loan, 1996). This decomposition is known as the Singular Value Decomposition (SVD) and has many applications in signal and image processing. In particular, in the area of image processing, the SVD of an image is an optimal decomposition, in the sense that most of the signal energy is concentrated in few coefficients (singular values). In addition, the SVD has properties of stability, proportion invariance and rotation invariance.

The SVD has also been used in recent years in watermarking applications, see for instance (Liu and Tan, 2002), (Chang et al., 2005), (Zhang and Li, 2005), (Mohammad et al., 2008), (Xiong et al., 2008), (Pei and Liu, 2008), (Changzhen et al., 2009), where different watermarking schemes based on modification of the singular values are presented. More recently, the SVD has been used in combination with the DWT decomposition in different watermarking schemes. For instance, in (Bhartnagar and Raman, 2009) a semi-blind reference watermarking scheme for copyright protection using gray scale logos as watermarks is presented. For the watermark embedding, the original image is transformed using DWT, a reference image is obtained, and then the watermark is embedded into the reference image by modifying its SVs, using the SVs of the watermark. In (Li et al., 2007), a hybrid DWT-SVD watermarking scheme that considers Human Visual properties is introduced. The embedding is done by DWT decomposing the host image into four subbands, applying SVD to each subband, and then modifying the SVs using the SVs of the watermark. The watermark strength is determined by the HVS model proposed in (Lewis and Knowles, 1992).

### 3 DWT-SVD METRIC PROPOSAL

In this section, a new image distortion metric based on DWT and SVD decompositions is introduced. The metric benefits from the advantages of the Discrete Wavelet Transform Decomposition regarding space-frequency resolution and of the Singular Value Decomposition of an image regarding the compactness of the representation of the signal energy in a few coefficients. The metric resorts to a widely used perceptual model of the HVS introduced in (Watson et al., 1997), which takes into account frequency sensitivity, local luminance and contrast masking effects to determine an image-dependent quantization matrix, which provides the maximum possible quantization error in the DWT coefficients which is not perceptible by the HVS. These values are the so-called Just Noticeable Difference (JND) thresholds.

In a first stage, a 1-level DWT decomposition is performed for both the original and the watermarked images, using the biorthogonal 7/9 wavelet (Mallat, 1998), resulting in the coefficient matrices  $C_{LL}$ ,  $C_{LH}$ ,  $C_{HL}$ ,  $C_{HH}$  for the original image and  $C_{LL}^w$ ,  $C_{LH}^w$ ,  $C_{HL}^w$ ,  $C_{HH}^w$  for the watermarked image. Here, the subindexes  $LL$ ,  $HL$ ,  $LH$  and  $HH$  indicate approximation, and vertical, horizontal and diagonal details, respectively.

The Singular Value Decomposition of each coefficient matrix is then performed, resulting in four singular values matrices for each subband of the original image, namely  $\Sigma_{LL}$ ,  $\Sigma_{LH}$ ,  $\Sigma_{HL}$  and  $\Sigma_{LL}$ , and four singular values matrices for each subband of the watermarked image, namely,  $\Sigma_{LL}^w$ ,  $\Sigma_{LH}^w$ ,  $\Sigma_{HL}^w$  and  $\Sigma_{LL}^w$ . Then, the absolute difference of the singular values matrices for each subband is computed (element-wise) according to

$$\Delta\Sigma_i(j, k) \triangleq |\Sigma_i(j, k) - \Sigma_i^w(j, k)|, \quad (1)$$

with  $i = LL, LH, HL, HH$ .

The watermark in the watermarked image will be imperceptible if the variation of the wavelet coefficients associated to the singular value differences in (1) do not exceed the JND thresholds of the DWT domain HVS model. An SVD decomposition of the DWT perceptual thresholds for the  $i$ th-subband,  $JND_i$ , permits to obtain the singular value perceptual thresholds as follows,

$$JND_i = U_i \Sigma_{JND_i} V_i^T \Rightarrow \Sigma_{JND_i} = U_i^T JND_i V_i, \quad (2)$$

with  $i = LL, LH, HL, HH$ .

A variation of the singular values of a specific subband will then be perceptible if the difference  $\Delta\Sigma_i$  in (1) exceeds the singular value perceptual thresholds  $\Sigma_{JND_i}$ .

A matrix  $Thresh(\Delta\Sigma_i)$  can be defined from  $\Delta\Sigma_i$  by zeroing the entries which are below the perceptual thresholds  $\Sigma_{JND_i}$ , and then, a single value of distortion for each subband can be defined as follows:

$$d_i \triangleq \frac{\|Thresh(\Delta\Sigma_i)\|_F}{\|\Sigma_i\|_F}, \quad i = LL, LH, HL, HH \quad (3)$$

where  $\|\cdot\|_F$  stands for the Frobenius norm of a matrix, and the normalization by  $\|\Sigma_i\|_F$  has been performed in order for the distortions  $d_i$  to be in the range  $[0, 1]$ .

Finally, to provide a unique parameter quantifying the distortion, a pooling of the four subband distortion measures is needed. An objective fidelity metric can then be defined as the complement of the linear combination of the four distortion measures in (3), *i.e.*,

$$f \triangleq 1 - (k_{LL}d_{LL} + k_{LH}d_{LH} + k_{HL}d_{HL} + k_{HH}d_{HH}), \quad (4)$$

where the coefficients  $k_{LL}$ ,  $k_{LH}$ ,  $k_{HL}$  and  $k_{HH}$  must satisfy the constraint

$$k_{LL} + k_{LH} + k_{HL} + k_{HH} = 1, \quad (5)$$

in order for  $f$  to be in the range  $[0, 1]$ .

A schematic representation of the algorithm for the computation of the objective fidelity metric is shown in Fig. 1.

### 4 METRIC VALIDATION

In this section, the experiments for the subjective validation of the proposed fidelity metric are described.

As pointed out before the straightforward way to assess the fidelity of watermarked images is to run a subjective test. There are standardized techniques to perform subjective tests for general image quality assessment. For instance the Recommendation ITU-R BT.500-11 (ITU, 2002) specifies a methodology for the subjective assessment of still image quality. On the other hand no standards are available for subjective assessment of watermarked image quality. Since watermarked images can be considered as the result of some processing operations (the watermark embedding algorithms) applied to the original image, these general subjective quality assessment techniques could be applied to watermarked images. In this paper, the Double Stimulus Impairment Scale (DSIS) protocol, described in (ITU, 2002), is used. This protocol has also been used by Marini and coauthors in (Marini et al., 2007) in the same context.

The experiments were carried out in a room designed according to the recommendation ITU-R BT.500-11 (ITU, 2002). Fifteen observers were enrolled to do the test and fifteen different natural images were watermarked using two state-of-the-art Image Adaptive DWT insertion schemes. Namely, the



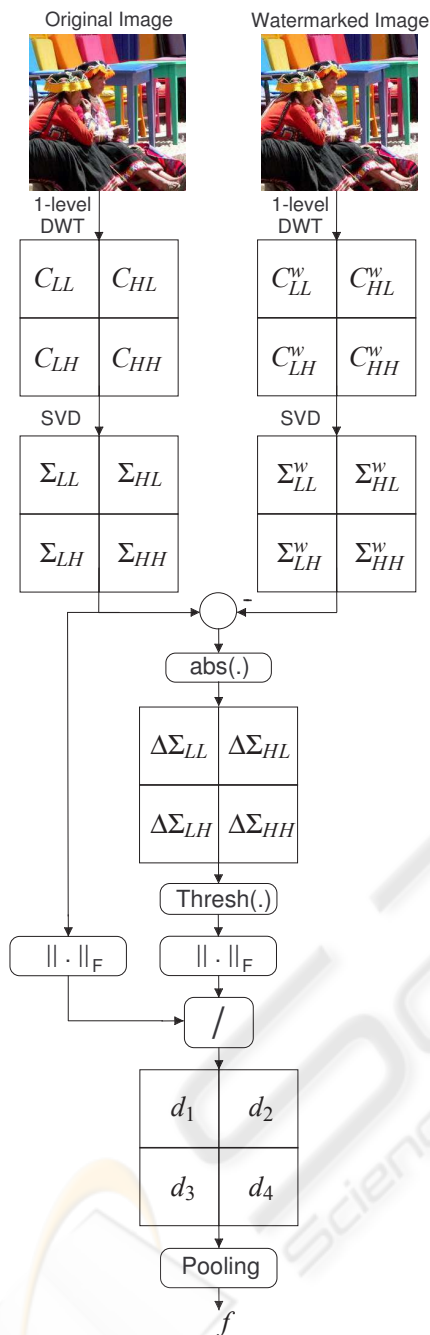


Figure 1: DWT-SVD based image fidelity metric algorithm.

algorithm proposed in (Podilchuk and Zeng, 1998), and the one introduced in (Del Colle and Gómez, 2007). These techniques in the DWT domain take into account the image characteristics and a model of the Human Visual System to adapt the strength of the watermark to make it imperceptible. These IADWT techniques have also proved to deliver better results, regarding robustness and fidelity, than image independent watermarking schemes.

This setup resulted in 20 min sessions where observers were asked to rate 30 images at an observation distance ( $D_{obs}$ ) of six times the display size of the images. The original and the watermarked images were displayed side by side on the monitor as shown in Fig. 2, and the observers were asked to rate the quality of the marked image compared to that of the original on a scale of five categories, namely 5=Imperceptible, 4=Perceptible but not annoying, 3=Slightly annoying, 2=Annoying, and 1=Very annoying.

The results of these experiments are included in section 5.

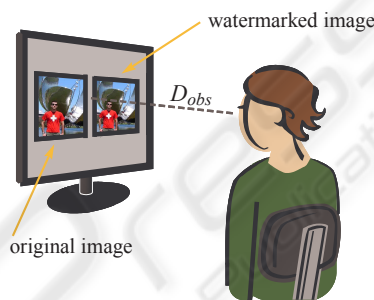


Figure 2: Subjective Experiment Setup.

## 5 RESULTS

The metric described in Section 3 is used in this section to evaluate the fidelity of the two IADWT watermarking schemes mentioned before. A set of fifteen ( $256 \times 256$ ) natural color images was used. The complete image data set can be downloaded from the authors’s website (<http://www.fceia.unr.edu.ar/lsd/mrg/watermark/>).

Four of the images are shown in Fig. 3



Figure 3: Four images in the database.

Three perceptual image fidelity metrics are considered in this section. Namely, the Komparator metric introduced in (Le Callet and Barba, 2003), the SSIM metric introduced in (Wang et al., 2004), and the metric introduced in Section 3.

In order to illustrate which metric provides the best objective assessment of image quality for both watermarking methods, the three metrics are computed and compared to the Mean Opinion Score <sup>1</sup> (MOS) for the fifteen images. The corresponding 97.5 % confidence intervals (CI) were also calculated to specify intervals of values with the highest likelihood of containing the true value of the general MOS. These intervals, centered in the MOS, are shown as blue solid boxes in Fig. 4. The metric  $f$  introduced in this paper is denoted with green triangles, the SSIM values with orange squares, while the Komparator values with brown circles. The values in Fig. 4 are normalized in the range  $[1, 5]$ .

The number of points that fall outside the confidence intervals and the average distance ( $\delta$ ) of each metric to the MOS were calculated for both Watermarking algorithms and the corresponding values are shown in Table 1. From Fig. 4 and Table 1, it can be observed that the metric  $f$  is the one that best fits the subjective results, although the Komparator metric gives also acceptable results.

Table 1: Performance of the metrics.

	IADWT		IADWT <sub>T</sub>	
	Points outside CI	$\delta$	Points outside CI	$\delta$
SSIM	9	0.29	2	0.12
Komparator	3	0.26	3	0.20
$f$	2	0.26	1	0.13

## 6 CONCLUDING REMARKS

In this paper, a new perceptual metric for fidelity evaluation of watermarked images was presented and validated through subjective tests. The proposed metric resorts to a widely used perceptual model of the HVS, which provides the maximum possible quantization error in the DWT coefficients which is not perceptible by the HVS. A relationship between these maximum quantization errors in the DWT domain and the maximum variation of the wavelet coefficients's singular values was derived in the paper. The proposed metric can be adapted to other HVS models in the DWT domain, like the one in (Lewis and Knowles, 1992).

<sup>1</sup>The Mean Opinion Score for each image is the average of the scores assigned by all observers.

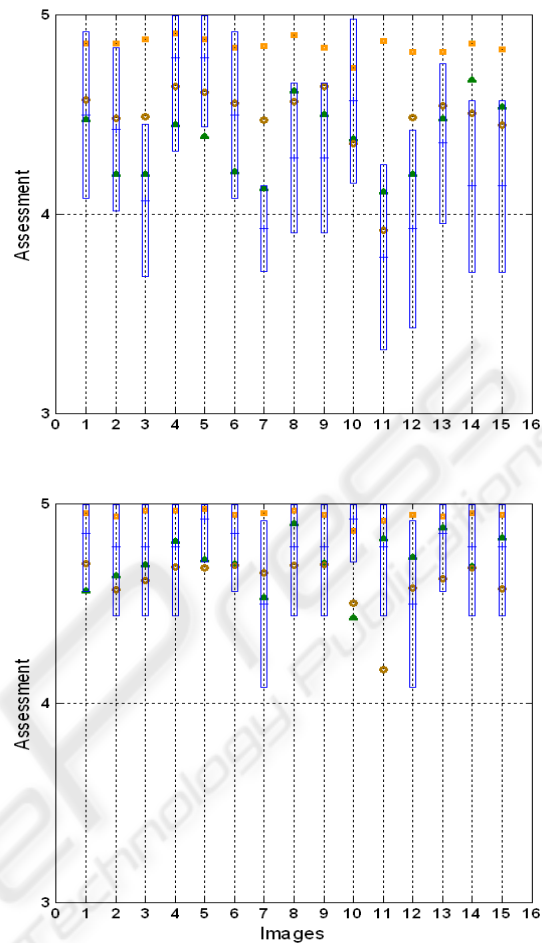


Figure 4: Comparison of Objective and Subjective Assessment for methods IADWT (top) and IADWT<sub>T</sub> (bottom). CI: Blue solid boxes,  $f$ : green triangles, SSIM: orange squares, Komparator: brown circles.

The performance of the proposed metric was compared with two state-of-the-art perceptual fidelity metrics showing better correlation with the subjective tests for the purposes of quantifying still image watermarking fidelity. The experiments were performed using two IADWT watermark insertion algorithms. It is the intention of the authors to test the performance of the metric with other watermarking schemes, in particular, with some of the SVD-based algorithms listed in section 2.

## REFERENCES

- Barni, M. and Bartolini, F. (2004). *Watermarking Systems Engineering - Enabling Digital Assets and Other Applications*. Marcel Dekker, Inc., New York.
- Bhartnagar, G. and Raman, B. (2009). A new robust ref-

- erence watermarking scheme based on DWT-SVD. *Computer Standards & Interfaces*, 31:1002–1013.
- Chang, C.-C., Tsai, P., and Lin, C.-C. (2005). SVD-based digital image watermarking scheme. *Pattern Recognition Letters*, 26:1577–1586.
- Changzhen, X., Fenhong, G., and Zhengxi, L. (2009). Weakness analysis of singular value based watermarking. In *Proceedings of the 2009 IEEE International Conference on Mechatronics and Automation*, pages 2596–2601, Changchun, China.
- Cox, I., Miller, M., and J.Bloom (2002). *Digital Watermarking*. Morgan Kaufmann, San Francisco.
- Del Colle, F. and Gómez, J. C. (2007). Fidelity and robustness analysis of image adaptive DWT-based watermarking schemes. In *Proc. of the International Conference on Signal Processing and Multimedia Applications, SIGMAP2007*, pages 393–397, Barcelona, Spain. INSTIC.
- Eskicioglu, A. (2000). Quality measurement for monochrome compressed images in the past 25 years. In *Proceedings of the IEEE International Conference on Acoustics, Speech and Signal Processing*, volume 4, pages 1907–1910, Turkey.
- Golub, G. and Van Loan, C. (1996). *Matrix Computations*. The Johns Hopkins University Press, Baltimore and London, third edition.
- ITU (2002). Recommendation ITU-R BT.500-11: Methodology for the subjective assessment of the quality of television pictures. Technical report, International Telecommunication Union.
- Le Callet, P., Autrusseau, F., and Campisi, P. (2008). *Multimedia Forensics and Security*, chapter IX: Visibility control and Quality assessment of watermarking and data hiding algorithms, pages 163–192. Idea Group Publishing.
- Le Callet, P. and Barba, D. (2003). A robust quality metric for color image quality assessment. In *Proceedings of the IEEE International Conference on Image Processing*, volume 1, pages 437–440.
- Lewis, A. and Knowles, G. (1992). Image compression using the 2-D wavelet transform. *IEEE Transactions on Image Processing*, 1(2):244–250.
- Li, Q., Yuan, C., and Zhong, Y.-Z. (2007). Adaptive DWT-SVD domain image watermarking using human visual model. In *Proceedings of the 9th International Conference of Advanced Communication Technology (ICACT 2007)*, pages 1947–1951, Korea.
- Liu, R. and Tan, T. (2002). An SVD-based watermarking scheme for protecting rightful ownership. *IEEE Transactions on Multimedia*, 4(1):121–128.
- Mallat, S. (1998). *A wavelet Tour of Signal Processing*. Academic Press, San Diego.
- Marini, E., Autrusseau, F., Le Callet, P., and Campisi, P. (2007). Evaluation of standard watermarking techniques. In *Proc. of SPIE-IS& Electronic Imaging*, volume 6505, pages 1–10, San Jose, CA, USA.
- Mohammad, A., Alhaj, A., and Shaltaf, S. (2008). An improved SVD-based watermarking scheme for protecting rightful ownership. *Signal Processing*, 88:2158–2180.
- Pei, S.-C. and Liu, H.-H. (2008). Improved SVD-based watermarking for digital images. In *Proceedings of the Sixth Indian Conference on Computer Vision, Graphics and Image Processing*, pages 273–280. IEEE Computer Society.
- Podilchuk, C. and Zeng, W. (1998). Image-adaptive watermarking using visual models. *IEEE Journal on Selected Areas in Communications*, 16(4):525–539.
- Shnayderman, A., Gusev, A., and Eskicioglu, A. (2006). An SVD-based grayscale image quality measure for local and global assessment. *IEEE Transactions on Image Processing*, 15(2):422–429.
- Wang, S.-H. and Lin, Y.-P. (2004). Wavelet tree quantization for copyright protection watermarking. *IEEE Transactions On Image Processing*, 13(2):154–165.
- Wang, Z. and Bovik, A. (2002). A universal image quality index. *IEEE Signal Processing Letters*, 9(3):81–84.
- Wang, Z., Bovik, A., Sheikh, H., and Simoncelli, P. (2004). Image quality assessment: from error visibility to structural similarity. *IEEE Transactions on Image Processing*, 13(4):600–612.
- Watson, A., Yang, G., Solomon, J., and Villasenor, J. (1997). Visibility of wavelet quantization noise. *IEEE Transactions on Image Processing*, 6(8):1164–1175.
- Winkler, S. (1998). A perceptual distortion metric for digital color images. In *Proceedings of IEEE International Conference on Image Processing*, volume 3, pages 175–184.
- Xiong, C., Ward, R., and Xu, J. (2008). On the security of singular value based watermarking. In *Proceedings of the IEEE International Conference on Image Processing ICIP 2008*, pages 437–440.
- Zhang, X.-P. and Li, K. (2005). Comments on "An SVD-based watermarking scheme for protecting rightful ownership". *IEEE Transactions on Multimedia*, 7(2):593–594.