

DESIGN AND IMPLEMENTATION OF AN FPGA-BASED SVPWM IC FOR PWM INVERTERS

Cheng-Hung Tsai

*Department of Electrical Engineering, China Institute of Technology
245 Yen-Chiu Yuan Road, 3rd Sec., Taipei, 11581, Taiwan*

Hung-Ching Lu

*Department of Electrical Engineering, Tatung University
40 Chungshan North Road, 3rd Sec., Taipei, 10451, Taiwan*

Keywords: FPGA, SVPWM IC, High-performance.

Abstract: This paper presents a new circuit design scheme of the space-vector pulse-width modulation (SVPWM) strategy, including linear and overmodulation ranges. The proposed scheme has been developed using the state-of-the-art field-programmable gate array (FPGA) technology. The SVPWM control integrated circuit (IC) can be realized by using only a single FPGA (Cyclone) from Altera, Inc. Experimental results show that this controller can present an excellent drive performance and its switching frequency, which can be set to over 100kHz, is adjustable as well as its deadtime. The output fundamental frequency can be adjusted over 2000Hz. This SVPWM IC can be included in the digital current control loop for stator current regulation. The IC also provide a simple hardware and low cost for high-performance ac drives.

1 INTRODUCTION

In engineering practice, because of the complexity of servo control algorithm, it is usually implemented with software based on DSP (Lai and Chang, 1999) (Marwali et al., 1999) (Ma et al., 2001) (Zadeh, 2001). This approach can provide a flexible control scheme, but suffers from a long period of development and exhausts many resources of the CPU. In some cases, dual DSPs have to be adopted to achieve superior performances (Tzou et al., 1996) (Tzou et al., 1996b) (Tzou et al., 1996c). Such additional hardware and software design for such a dual-DSP controller will complicate the design process enormously.

In recent years, a novel design methodology has arisen, that is FPGA-based hardware implementation technology (Carrica et al., 2003) (Man et al., 1995) (Lin et al., 2005) (Zeidman et al., 2002) (Tonelli et al., 2001). Because of the programmable characteristics of FPGA and IP cores, users can design their application-specific integrated circuit (ASIC) in lab according to their schemes,

instead of participation of the semiconductor manufacturer. In addition, since FPGA can carry out parallel processing by means of hardware mode, which occupies nothing of the CPU, a very high speed level of the system can be obtained as well as an exciting precision. This novel design methodology has now been used in high performance motion control field, such as (Tonelli et al., 2001) (Tzou and Hsu, 1997) (Zhou et al., 2004). Literature (Tonelli et al., 2001) proposed a universal SVPWM controller with overmodulation and deadtime compensation, but it is not a flexible design and its switching frequency can not be set arbitrarily; besides it also needs an extra EPROM for sin and cosine values as a lookup table. In (Tzou and Hsu, 1997), the constructed IC has a strong function but it does not include overmodulation range and also needs additional EPROM. In (Zhou et al., 2004), the switching frequency can only be set to 40 kHz maximum.

Employing FPGA to realize PWM strategies provides advantages such as rapid prototyping, simple hardware, software design and very high switching frequency. Thus, the realization of the

SVPWM schemes by state-of-the-art FPGA technology is the best way to improve the bandwidth of the current or speed controller. This paper proposed a simple hardware FPGA-based control structure for ac drives depicted in Fig. 1 and develops a high performance realization scheme for the SVPWM control IC employing a single FPGA (Cyclone) from Altera, Inc.

The designed IC can serve either for ac motor drives or three-phase ac-voltage regulation systems. It can also be incorporated as part of the digital current loop for ac drives. Fig. 2 shows the circuit configuration of a DSP-controlled ac drive using the SVPWM control IC. The rest of this paper is organized as follows. Section II briefly introduces the principle of the space-vector PWM method. Section III discusses developing a strategy for the hardware design scheme. Section IV implements the circuits on a low cost FPGA and shows the experimental results. In section V some conclusions are drawn.

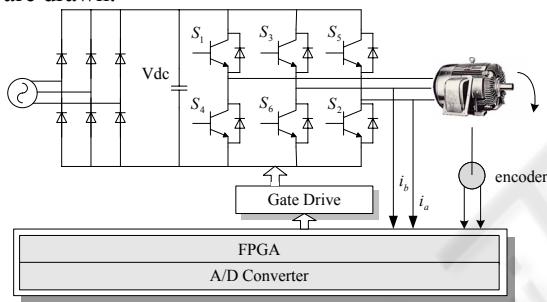


Figure 1: Circuit schematics of a voltage-source full bridge three-phase PWM inverter.

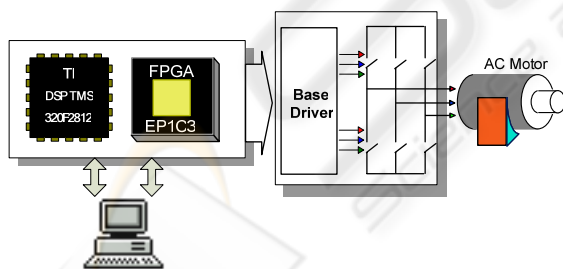


Figure 2: Circuit configuration of the DSP-controlled FPGA-based PWM current controller for the ac drive.

2 PRINCIPLE OF SVPWM

The main purpose of the PWM inverter is to generate a variable-voltage variable-frequency (VVVF) three-phase voltage to the ac motor. Conventional sinusoidal PWM employs several

kinds of sampling methods with sinusoidal signals according to a carrier signal, e.g., natural sampling (Schonung and Stemmler, 1964) (Pollack, 1972), or symmetric or asymmetric regular sampling (Bowers, 1975).

The principle of the SVPWM is more clearly explained by representing a space vector (Park, 1929). The motor stator voltage vector can be expressed as a combination of the inverter output-phase voltage V_a, V_b, V_c which can be described in vector form as:

$$\vec{V}_s = V_a + \alpha^2 V_b + \alpha V_c, \quad \alpha = \exp(j2\pi/3) \quad (1)$$

where

$$V_a = V_d \sin \omega t$$

$$V_b = V_d \sin(\omega t - 120^\circ)$$

$$V_c = V_d \sin(\omega t + 120^\circ)$$

and V_d is the amplitude of the fundamental component. As shown in Fig. 3, there are eight voltage vector configurations of the three-phase PWM inverter. Their corresponding voltage vectors are expressed as:

$$\vec{V}_n = \frac{2}{3} V_d \exp \left[j \frac{(n-1)\pi}{3} \right], \quad n = 1, 2, \dots, 6 \quad (2)$$

$$V_7 = V_0 = 0 \quad (3)$$

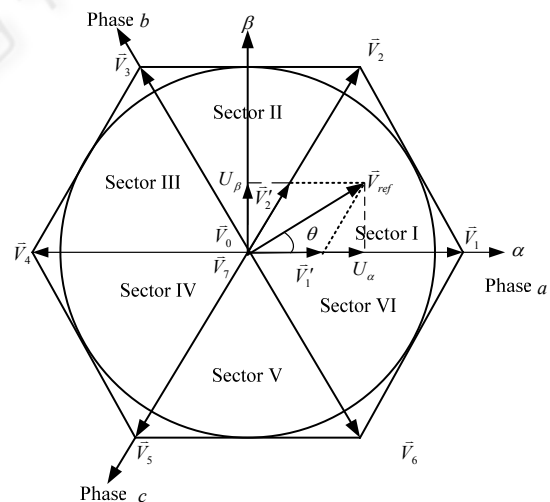


Figure 3: Voltage space vector diagram.

The stator voltage vector can be decomposed of a combination of two basic vectors, as Fig. 3 indicates. The advantage of the SVPWM strategy is the minimization of harmonic distortion in the current

by selecting the appropriate switching vectors and determination of the corresponding dwelling widths.

If the reference vector \vec{V}_{ref} is located in sector I, then it is composed of voltage vector V_1 , V_2 , and zero voltage vectors V_7 and V_0 as illustrated in Fig. 3. The flux produced by the reference voltage vector in a PWM switching period is a combination of each individual flux produced by its corresponding voltage vector. The relationships of the voltage vector can be expressed as:

$$\int_0^{T_s} V_{ref} dt = \int_0^{T_0} V_0 dt + \int_0^{T_1} V_1 dt + \int_0^{T_2} V_2 dt + \int_0^{T_7} V_7 dt. \quad (4)$$

Because the voltage vectors V_1 and V_2 are basic vectors and V_0 and V_7 are zero vectors, that gives

$$V_{ref} = V_1 \frac{T_1}{T_s} + V_2 \frac{T_2}{T_s} \quad (5)$$

Where T_s is the switching period and T_1 , T_2 are the dwelling time of V_1 and V_2 , respectively. This voltage space vector can be expressed in rectangular coordinates as follows:

$$\begin{aligned} T_1 \cdot \sqrt{\frac{2}{3}} \cdot V_d \cdot \begin{bmatrix} 1 \\ 0 \end{bmatrix} + T_2 \cdot \sqrt{\frac{2}{3}} \cdot V_d \cdot \begin{bmatrix} \cos 60^\circ \\ \sin 60^\circ \end{bmatrix} \\ = \frac{T_s}{2} \sqrt{\frac{2}{3}} \cdot V_d \cdot M \begin{bmatrix} \cos \theta \\ \sin \theta \end{bmatrix} \end{aligned} \quad (6)$$

Where $M = \frac{|V_{ref}|}{\sqrt{\frac{2}{3}} V_d}$, $0 \leq \theta \leq 60^\circ$, and the dwelling time of each vector can be got.

$$T_1 = \frac{T_s}{2} \cdot M \cdot \frac{\sin(60^\circ - \theta)}{\sin 60^\circ} \quad (7)$$

$$T_2 = \frac{T_s}{2} \cdot M \cdot \frac{\sin(\theta)}{\sin 60^\circ} \quad (8)$$

$$T_0 = T_{a7} = \frac{T_s}{2} - T_1 - T_2. \quad (9)$$

If the calculated value $T_1 + T_2 > T_s$, i.e., the zero vector time is minus, overmodulation occurs and the duration time should be processed again. To improve the resolution of the binary divider, the new time can be reconsidered as follows:

If $T_1 > T_2$, then

$$T_1' = \frac{T_1}{T_1 + T_2} \frac{T_s}{2}, \quad T_2' = \frac{T_s}{2} - T_1' \quad (10)$$

otherwise

$$T_2' = \frac{T_2}{T_1 + T_2} \frac{T_s}{2}, \quad T_1' = \frac{T_s}{2} - T_2' \quad (11)$$

3 DESIGN OF THE FPGA-BASED SVPWM IC

Many factors need to be considered in designing the PWM control IC, such as simplicity, flexibility, and complexity of the circuit design. In practical applications, the PWM IC is not possible to cooperate with a conventional microprocessor, therefore, the control IC is stand alone. The major design goal is to relieve the microprocessor from time-consuming computational tasks such as PWM signal generating, deadtime compensation, and current control.

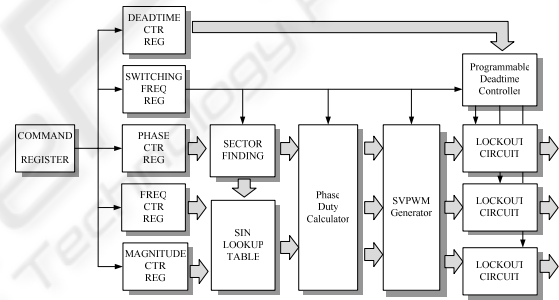


Figure 4: Functional block diagram of the programmable FPGA-based SVPWM IC.

Fig. 4 depicts the block diagram of a proposed programmable FPGA-based SVPWM control IC. This design consists of five registers for the command frequency, modulation factor, phase of the stator voltage vector, the switching frequency of the PWM and the deadtime for the power module.

To simplify the interface circuit, the commands of these five registers are downloaded from the computer directly. The control parameters can be set in the original project file. The internals of the designed IC consist of a sin-table address decoder, a duty-ratio calculator, a PWM waveform generator and a programmable deadtime register. The firing time width of an SVPWM waveform involves computing of sin function. Therefore, arithmetic computational methods and the bit length for manipulating data are important factors in designing the digital hardware for the SVPWM. Floating-point arithmetic complicates the approach to hardware

design greatly; only positive integer arithmetic can provide a feasible solution. In this paper, all positive integer arithmetic without external EPROM sin-table reference has been adopted for the digital realization of the SVPWM IC.

The simple requirements for realizing the SVPWM scheme is to first compute the time width of each voltage vector. Second, these three-phase PWM waveforms are converted to centralized PWM waveforms. Finally, the PWM gating signals are inserted with adjustable time delay to protect the power module from short circuit.

The specified voltage amplitude, frequency, switching frequency, initial phase and deadtime are set in the VHDL file or received from DSP to produce the three-phase PWM gating signals. The sin reference is recorded in the built in memory of the FPGA for the PWM duty-ratio generator.

In ideal conditions, the gating signals to the power switches of same phase leg of the PWM inverter should be complementary. However, in order to avoid short circuit in the power semiconductors, an appropriate delay time must be inserted between these two gating signals. The length of this deadtime is depending on the characteristic of adopted IGBT module. Typically the deadtime is set to 2~4 us. A programmable deadtime controller is included in the designed SVPWM IC, which greatly facilitates its practical applications.

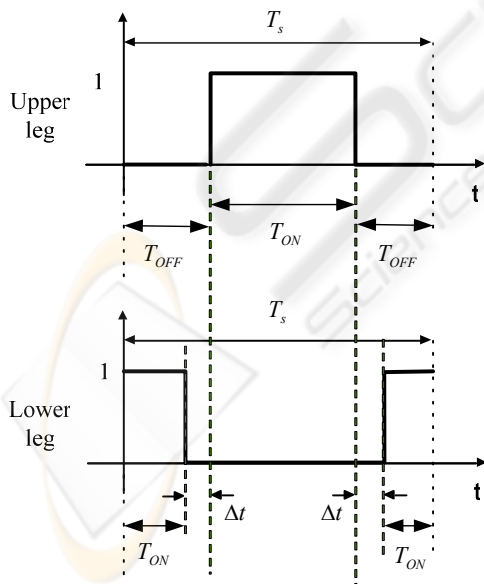


Figure 5: Timing diagram of the PWM signal with deadtime.

The PWM signal waveforms and their corresponding delay signals are described in Fig. 5.

The Δt is the specified deadtime. The deadtime controller generates the gating signals to the registers, which includes a digital comparator and results in PWM signals with a specified time delay. Fig. 6 shows simulation results of the programmable FPGA design for the PWM waveform.

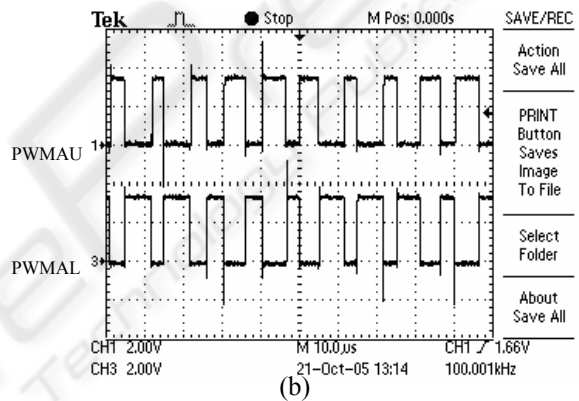
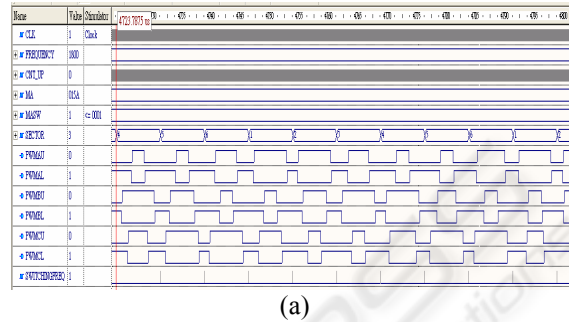


Figure 6: Simulation and experimental results of the voltage vector to three-phase PWM duty ratio converter at switching frequency is 100kHz and the output frequency is 1800Hz.

4 HARDWARE IMPLEMENTATION AND EXPERIMENTAL RESULTS

For the realization of the proposed SVPWM scheme, cost and speed considerations led to selecting an SRAM-based FPGA Cyclone EP1C3 from Altera, Inc. for realizing of the SVPWM IC. The EP1C3 has around 2910 logic gates, 60k RAM bits, and 1 phase-locked loop (PLL). The internal clock can operate at 200 MHz. Some important specifications of the EP1C3 are listed in Table I. Altera also provides EDA tools (Quartus II) for the development of ASIC's employing FPGA's. The Quartus II consists of a schematic entry editor, an interface with the schematic entry editor, logic and timing

simulation software, and design implementation software. The logic and timing simulation software is especially relevant to the design of complicated digital circuits because it is best suited to resolve circuit problems during the early design stage.

Fig. 7 illustrates the pin assignment of the designed SVPWM IC. The SVPWM modules are all described with VHDL and synthesized with Synplify software. The designed IC can operate at 200Mhz system clock by using the internal PLL, and the switching frequency as well as deadtime is adjustable. Fig. 8 is the circuit configuration of the SVPWM IC employing a single-chip DSP (TMS320F2812) from Texas Instruments. The simplicity in the interface circuit design illustrates its feasibility for practical applications. The IC can construct a current loop, and it can also be considered as an IP core which can be integrated into a system on one chip (SOC) with other IP cores.

Fig. 9 illustrates the experimental results of the phase voltage of the SVPWM gating signals from linear to overmodulation region. The output fundamental frequency can be adjusted for over 2000Hz. Such a wide frequency control range, with high-frequency switching, is only feasible by utilizing the state-of-the-art VLSI digital circuit design technique. In this designed IC, the SVPWM scheme is finished in 70 clocks. It means the whole software takes only 350 ns. Therefore, the PWM switching frequency can be set for over 100kHz. The deadtime for the PWM gating signals is also adjustable. The PWM waveforms with deadtime are shown in Fig. 10 by using Tektronix oscilloscope. Fig. 11 shows the experimental results of the designed SVPWM IC used in a PWM inverter ac motor drive with 1000 and 2000Hz output, respectively. Experimental results show the constructed SVPWM IC can generate a wide range of output frequencies with controlled fundamental voltage.

5 CONCLUSIONS

This paper presents the design and realization of a programmable SVPWM control IC for high performance ac servo drives. The SVPWM scheme is implemented and tested by using an FPGA technology. Simulation and experimental results are provided to verify the implemented SVPWM control IC. The designed IC is also easy to interface with DSP or other IP cores to form a closed loop control system. Besides, it doesn't need external EPROM, and the source codes can be easily replanted to

different FPGA's without any changes. Given that an economic manufacturing cost can be achieved, it is believed that the PWM control IC's will become the important components in power converters and motor drives of the future.

ACKNOWLEDGEMENTS

This work was supported by the National Science Council of the republic of China under the contract of NSC 93-2213-E036-018.

REFERENCES

- Y. S. Lai, and S. C. Chang, 1999, "DSP-based implementation of new random switching technique of inverter control for sensorless vector-controlled induction motor drives," *IEE Proceedings- Electric Power Applications*, Vol. 146, No. 2, pp. 163-172.
- M. N. Marwali, A. Keyhani, and W. Tjanaka, 1999, "Implementation of indirect vector control on an integrated digital signal processor-based system," *IEEE Transactions on Energy Conversion*, Vol. 14, No. 2, pp. 139-146.
- J. D. Ma, W. Bin, N. R. Zargari and S. C. Rizzo, 2001, "A space vector modulated CSI-based AC drive for multimotor applications," *IEEE Transactions on Power Electronics*, Vol. 16, No. 4, pp. 535-544.
- S. V. Zadeh, 2001, "Variable flux control of permanent magnet synchronous motor drives for constant torque operation," *IEEE Transactions on Power Electronics*, Vol. 16, No. 4, pp.527-536.
- Y. Y. Tzou, M. F. Tsai, Y. F. Lin and H. Wu, 1996, "Dual DSP based fully digital control of an AC induction motor," *Proceedings of the IEEE International Symposium on Industrial Electronics*, Vol. 2, pp. 673-678.
- Y. Y. Tzou, M. F. Tsai, Y. F. Lin and H. Wu, 1996, "Dual DSP based fully digital control of an AC induction motor," *Proceedings of the IEEE International Symposium on Industrial Electronics*, Vol. 2, pp. 673-678.
- Y. Y. Tzou, W. A. Lee and S. Y. Lin, 1996, "Dual-DSP sensorless speed control of an induction motor with adaptive voltage compensation," *27th Annual IEEE Power Electronics Specialists Conference*, Vol. 1, pp. 351-357.
- D. Carrica, M. A. Funes and S. A. Gonzalez, 2003, "Novel stepper motor controller based on FPGA hardware implementation," *IEEE/ASME Transactions on Mechatronics*, Vol. 8, No. 1, pp. 120-124.
- K. F. Man, Y. C. Ho, K. P. Cheuk and S. Kwong, 1995, "Hardware implementation of variable pulse frequency algorithm," *Electronics Letters*, Vol. 31, No. 10, pp. 839-840.

F. J. Lin, D. H. Wang and P. K. Huang, 2005, "FPGA-based fuzzy sliding-mode control for a linear induction motor drive," IEE Proceedings- Electric Power Applications, Vol. 152, No. 5, pp. 1137-1148.

B. Zeidman and R. Zeidman, 2002, *Designing with FPGAs and CPLDs*, Berkeley.

M. Tonelli, P. Battaiotto and M. I. Valla, 2001, "FPGA implementation of an universal space vector modulator," *The 27th Annual conference of the IEEE Industrial Electronics Society*, pp. 1172-1177.

Y. Y. Tzou and H. J. Hsu, 1997, "FPGA realization of space-vector PWM control IC for three-phase PWM inverters," *IEEE Trans. On Power Electronics*, Vol. 12, No. 6, pp. 953-963.

Z. Zhou, T. Li, T. Takahashi and E. Ho, 2004, "Design of a universal space vector PWM controller based on FPGA," *IEEE Applied Power Electronics Conference and Exposition*, Vol. 3, pp. 1698-1702.

A. Schonung and H. Stemmler, 1964, "Static frequency changers with subharmonic control in conjunction with reversible variable speed ac drives," *Brown Boveri Rev.*, Vol. 122, No. 5, pp. 555-577.

J. J. Pollack, 1972, "Advanced pulsewidth-modulated inverter techniques," *IEEE Transaction on Industrial Applications.*, Vol. IA-8, No. 2, pp. 145-154.

S. R. Bowers, 1975, "New sinusoidal pulse width modulated inverter," *Proceedings of Industrial Electrical Engineerings.*, Vol. 122, No. 5, pp. 514-520.

R. M. Park, 1929, "Two-reaction theory of synchronous machines part I: Generalized method of analysis," *AIEE Trans.*, Vol. 48, pp. 716-730.

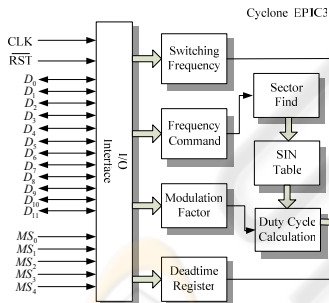


Figure 7: Pin assignment of the FPGA-based SVPWM control IC.

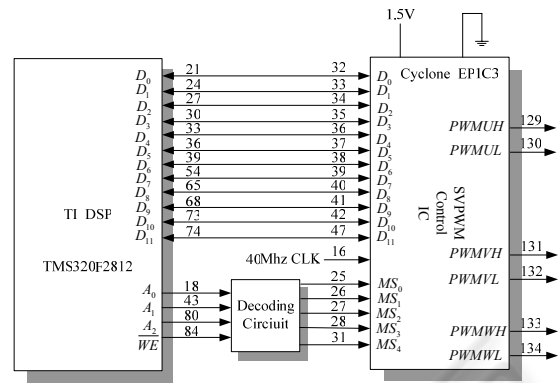
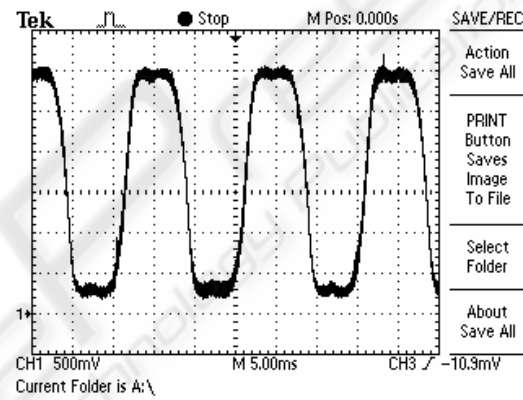
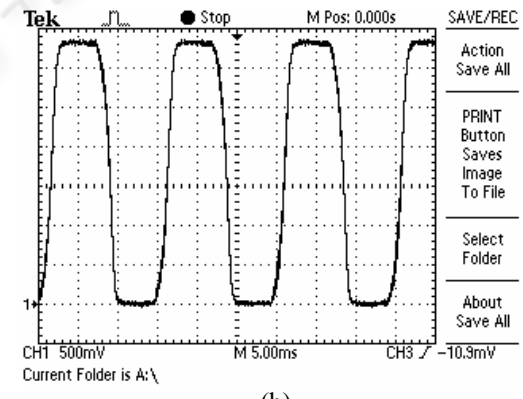


Figure 8: Circuit block diagram of the designed SVPWM IC interface with a sing-chip DSP TMS320F2812.



(a)



(b)

Figure 9: Experimental phase voltage wave form in the (a) linear region; (b) overmodulation region.

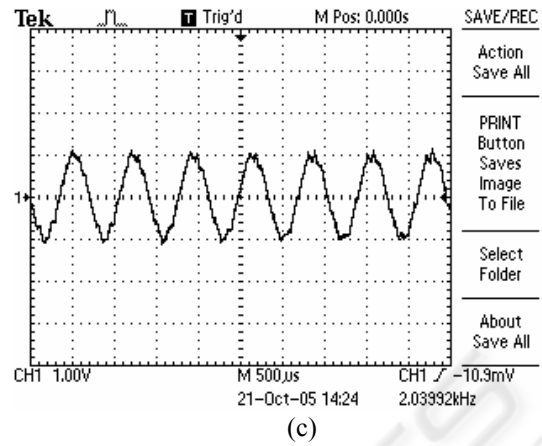
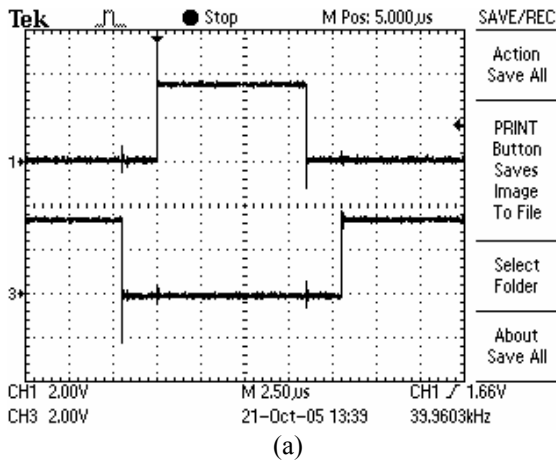


Figure 11: Experimental results of the SVPWM IC used in a PWM inverter drive with 1000- and 2000-Hz output: (a) and (c) are the phase currents.

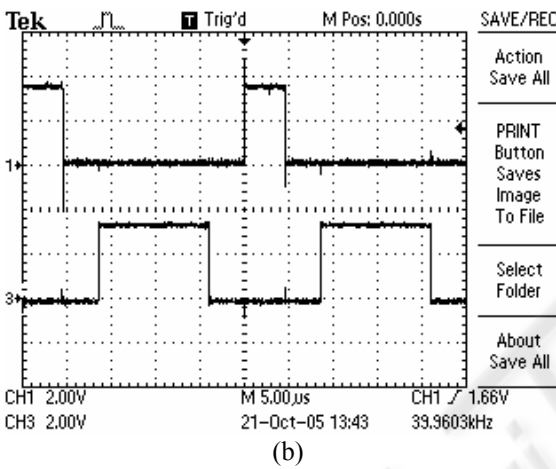


Figure 10: Experimental results of the programmable delay time with (a) 2 and (b) 4 μs, respectively.

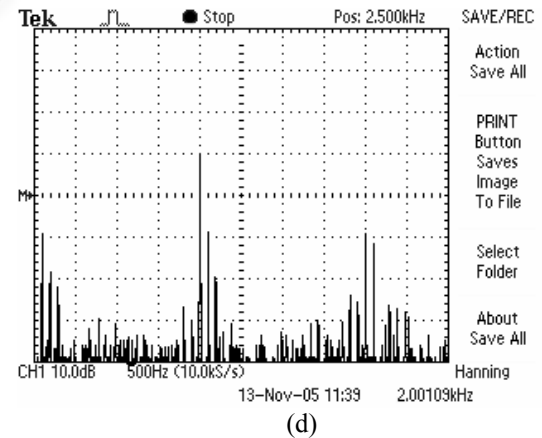
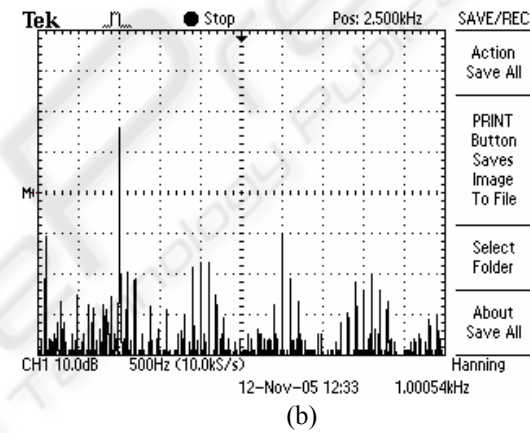


Figure 11: Experimental results of the SVPWM IC used in a PWM inverter drive with 1000- and 2000-Hz output: (b) and (d) are the corresponding frequency spectrum.